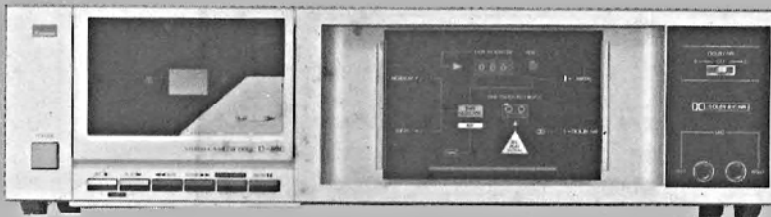


SERVICE MANUAL

STEREO CASSETTE DECK

SANSUI D-69C

(Silver & Black Model)



CAUTION

1. Parts identified by the \triangle symbol on the schematic diagram and the parts list are critical for safety. Use only replacement parts that have critical characteristics recommended by the manufacturer.
2. Make leakage-current or resistance measurements to determine that exposed parts are acceptably insulated from the supply circuit before returning the appliance to the customer.

•SPECIFICATIONS

Track	4-Track (2-Channel Stereo)
Tape Speed	4.8 cm/sec. (1-7/8 ips)
Motor	Electronically Controlled DC Motor
Wow and Flutter	within 0.07% WRMS
Fast wind time	approximately 100 seconds (C-60)
Frequency response (Record/Playback)	
Normal Tape (LH) (-20 VU)	20 to 15,000 Hz [*] (30 to 14,000 Hz \pm 3 dB)
Chrome Tape (-20 VU)	20 to 16,000 Hz (30 to 15,000 Hz \pm 3 dB)
Metal Tape (-20 VU)	20 to 17,000 Hz (30 to 16,000 Hz \pm 3 dB)
Signal to noise ratio (Record/Playback)	
Metal Tape (without Dolby Noise Reduction) better than 54 dB
(With Dolby Noise Reduction Effect)	
DOLBY "B" NR	better than 10 dB (above 5 kHz)
DOLBY "C" NR	better than 20 dB (above 1 kHz)
Erase factor (Metal Tape) more than 70 dB at 1 kHz
Input sensitivity and impedance (0 VU, 1 kHz)	
MIC	0.3 mV/200 Ω - 5 k Ω
LINE IN (REC)	150 mV/47 k Ω
Power requirements	
Power voltage	120/220/240V (50/60 Hz)
For U.S.A. and Canada	
.....	120V (60 Hz)
Power consumption	13W
Dimensions	430 mm (16-15/16") W 118 mm (4-11/16") H 223 mm (8-13/16") D
Weight	3.2 kg (7.1 lbs) net 4.0 kg (8.8 lbs) packed

- * Design and specifications subject to changes without notice for improvements.
- * Noise reduction system manufactured under license from Dolby Laboratories Licensing Corporation.
"Dolby" and the double D symbol are trade marks of Dolby Laboratories Licensing Corporation.

Sansui

SANSUI ELECTRIC CO., LTD.

CAUTION

1. The symbols, UL, CSA, SA, BS, UK, EU, AS and XX (EXPORT) on the parts list and the schematic diagram mean followings respectively.
 - UL..... Manufactured for U.S.A market.
(Underwriters Laboratories approved model.)
 - CSA Manufactured for Canadian market.
 - SA..... Manufactured for South African market.
 - BS, UK Manufactured for United Kingdom market.
 - EU Manufactured for European market.
 - AS..... Manufactured for Australian market.
 - XX (EXPORT) Standard Version.
 - NON MARK Common Parts.

2. Some printed circuit boards are not supplied as the assembled. To separate these in this service manual, the stock No's are not indicated at the ends of the board names. However, the individual parts on the circuit boards are provided by orders.

3. Since some of capacitors and resistors are omitted from parts lists in this service manual, refer to the Common Parts List for capacitors & resistors, which was issued on February 1983.

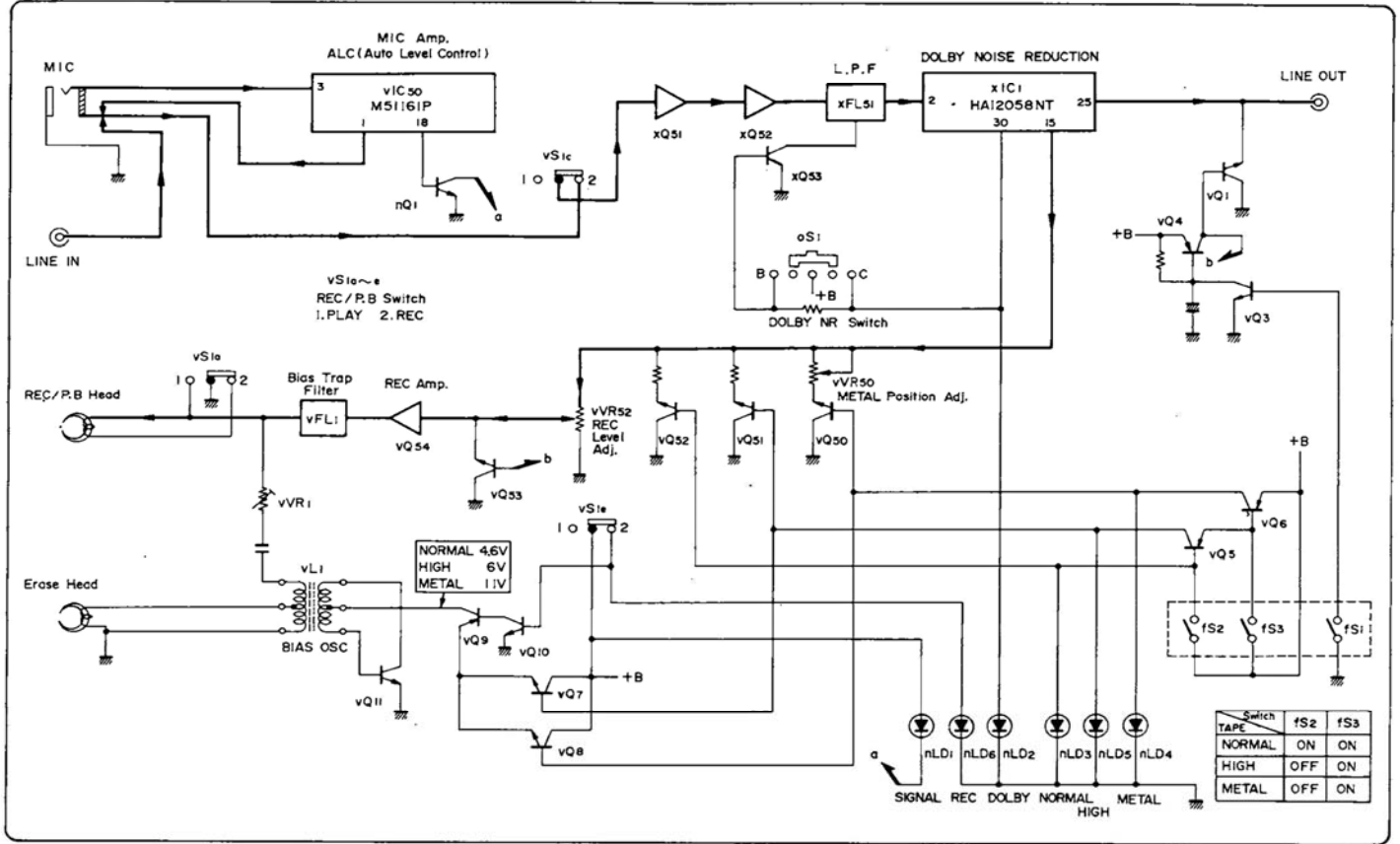
4. Abbreviations in this service manual are as follows.

•Abbreviations List

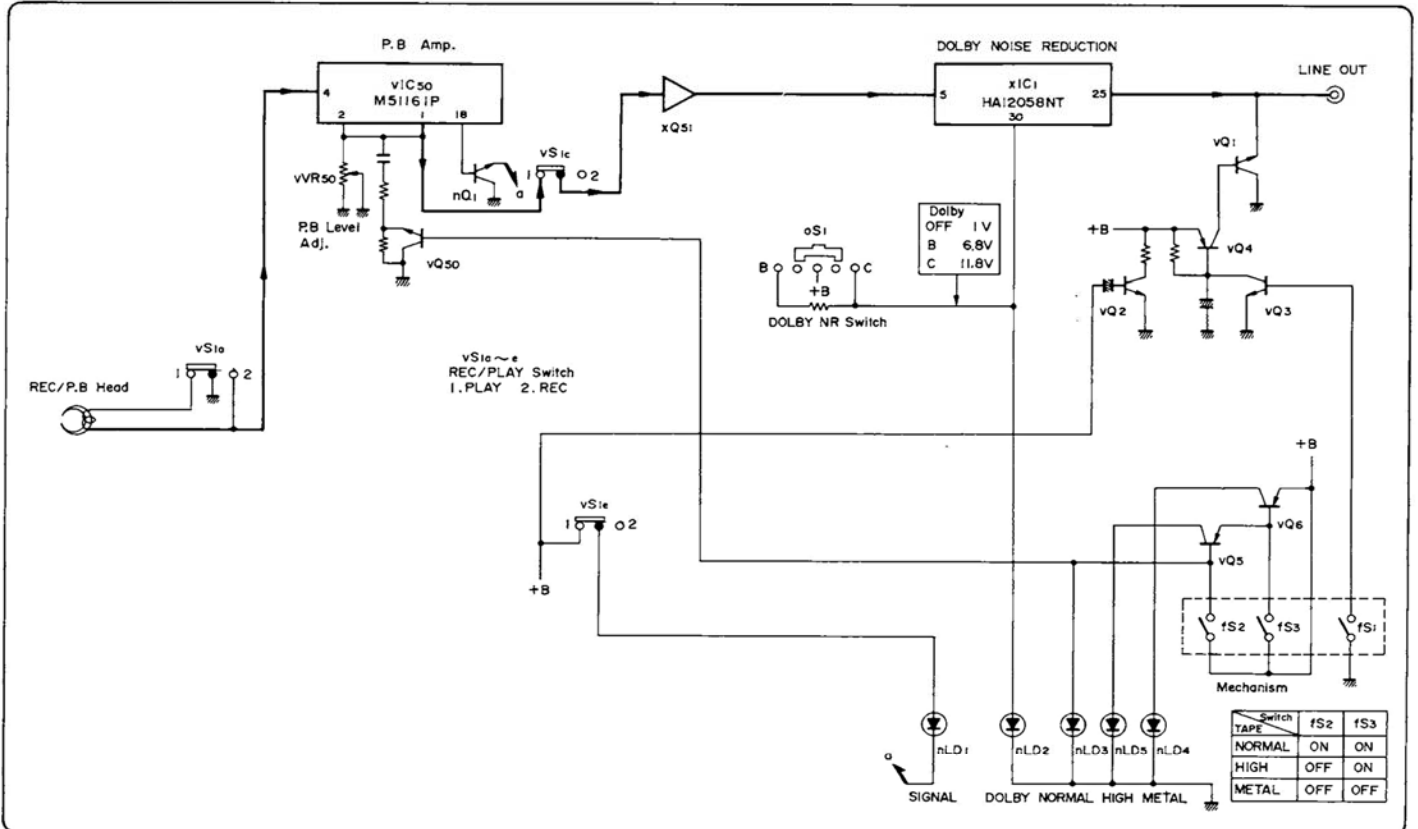
C.R. : Carbon Resistor	E.B.L. : Low Leak Bi-Polar
S.R. : Solid Resistor	Electrolytic Capacitor
Ce.R. : Cement Resistor	Ta.C. : Tantalum Capacitor
M.R. : Metal Film Resistor	F.C. : Film Capacitor
F.R. : Fusing Resistor	M.P. : Metalized Paper Capacitor
N.I.R. : Non-Inflammable Resistor	P.C. : Polystyrene Capacitor
A.R. : Array Resistor	G.C. : Gimmic Capacitor
C.C. : Ceramic Capacitor	A.C. : Array Capacitor
C.T. : Ceramic Capacitor,	V.R. : Variable Resistor
Temoerature Compensation	S.V.R. : Semi Variable Resistor
E.C. : Electrolytic Capacitor	SW. : Switch
E.L. : Low Leak Electrolytic	Chip R. : Chip Resistor
Capacitor	Chip C. : Chip Capacitor
E.B. : Bi-Polar Electrolytic	
Capacitor	

1. BLOCK DIAGRAM

1-1. Recording Operation <L-CH>



1-2. Playback Operation <L-CH>



2. ADJUSTMENTS

2-1. Tape Speed Adjustment

- Note:** 1. Use Sansui Test Tape, SCT-S3K (3 kHz signals are recorded on the tape).
2. Connections are shown in Fig. 2-1.

Fig. 2-1

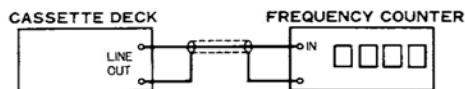
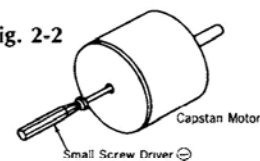


Fig. 2-2



STEP	SUBJECT	MEASURE OUTPUT	SETTING	ADJUSTMENT	ADJUST FOR	REMARKS
1.	TAPE SPEED Adj.	LINE OUT Frequency counter	Playback the TEST TAPE SCT-S3K.	Turn semi-variable resistor as Fig. 2-2.	3000Hz ± 45Hz	Use small screw driver.

2-2. Playback Adjustment

- Note:** 1. Before this adjustment, clean REC/P.B. head surface.
2. For this adjustment, use Sansui Test Tape, SCT-F10KN, and SCT-L400N and SCT-F1K.
3. Set the Dolby NR switch to be OFF.
4. Connections are shown in Fig. 2-3.

Fig. 2-3

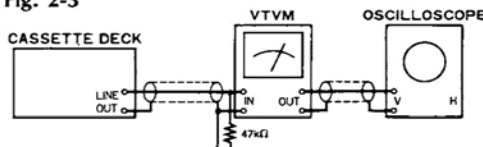
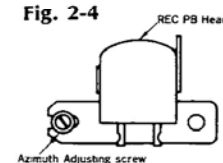


Fig. 2-4



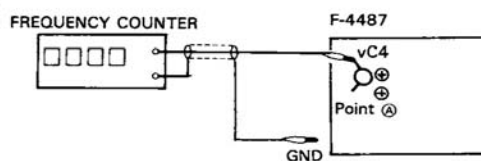
STEP	SUBJECT	MEASURE OUTPUT	SETTING	ADJUSTMENT	ADJUST FOR	REMARKS
1.	REC/P.B. Head Adj.	LINE OUT VTVM and Scope	Playback the TEST TAPE SCT-F10K	Adjust the azimuth adjusting screw in Fig. 2-4.	MAX. Output both channels.	Refer to removal of Lid Ass'y on Page 4. After this adjustment, lock the screw with paint.
2.	Playback Level Adj.	Same as above	Playback the TEST TAPE SCT-L400N	Adjust each vVR50 on L-CH and R-CH. (F-3816)	320mV ± 2dB	See Top View on page 9.
3.	High Frequency Equalization Check	Same as above	Playback the TEST TAPE SCT-F1K	_____	_____	Read output levels on both channels.
			Playback the TEST TAPE SCT-F10K	_____	_____	Confirm that the output levels are within ±3 dB comparing with the above readings.

2-3. Recording Adjustment

1) Bias Frequency Adjustment

- * Perform this adjustment when bias pot or REC/P.B. head replaced.
Note: 1. For this adjustment, use Sansui Test Tape, SCT-MA.
2. Connections are shown in Fig. 2-5.
3. DOLBY NR..... OFF

Fig. 2-5

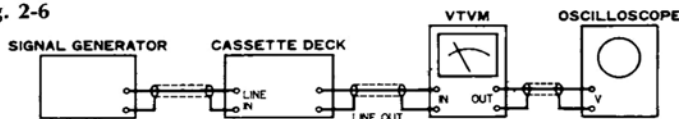


STEP	SUBJECT	MEASURE OUTPUT	SETTING	ADJUSTMENT	ADJUST FOR	REMARKS
1.	Bias Frequency Adj.	Between Point A (vC4) & GND Frequency counter	Load Test Tape SCT-MA Depress REC button.	Adjust vL1 (F-4487)	85kHz ± 5kHz	See Top View on page 9.

2) REC Level & Frequency Response Adjustment

- Note:** 1. For this adjustment, use Sansui Test Tape, SCT-SA and SCT-MA.
 2. Connections are shown in Fig. 2-6.
 3. DOLBY NR..... C.

Fig. 2-6



STEP	SUBJECT	INPUT SIGNAL	MEASURE OUTPUT	SETTING	ADJUSTMENT	REMARKS
1.	REC Level Adj.	Feed 1kHz, 15mV from S.G. into LINE IN.	LINE OUT, VTVM and Scope	Load the TEST TAPE SCT-SA. 1. Depress PAUSE and REC button. 2. Push off the PAUSE button, then record the 1kHz signal. 3. Play back the 1kHz signal. 4. Confirm that the output levels on both channels are 22.5mV on VTVM.	1. If not, 22.5mV, turn each vVR52 (F-4350) of L-CH and R-CH until output level 22.5mV on both channels are obtained.	See Top View on page 9.
2.	Frequency Response Adj.	Feed 1kHz 15mV and 10kHz 15mV from S.G. into LINE IN.	Same as above	Load the TEST TAPE SCT-SA. 1. Record the 1kHz and 10kHz signals from S.G. 2. Play back the 1kHz and 10kHz signals, then confirm 10kHz signal level in less than 1kHz signal level ± 3 dB on VTVM.	1. If not, adjust each vVR1 (F-4487) of L-CH and R-CH slightly until the output levels the 10kHz signal level in less than 1kHz signal level ± 3 dB on VTVM.	See Top View on page 9.
3.	METAL REC Level Adj.	Feed 1kHz 15mV from S.G. into LINE IN.	Same as above	Load the TEST TAPE SCT-MA. 1. Depress PAUSE and REC button. 2. Push off the PAUSE button, then record the 1kHz signal. 3. Play back the 1kHz signal. 4. Confirm that the output levels on both channels are 22.5mV on VTVM.	1. If not 22.5mV turn each vVR52 (F-4350) of L-CH and R-CH until output level 22.5mV on both channels are obtained.	See Top View on page 9.

◆ List of Sansui Test Tape

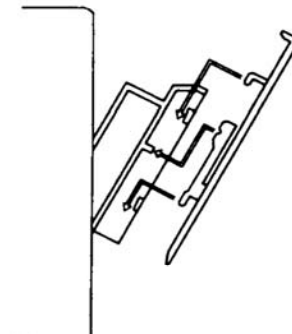
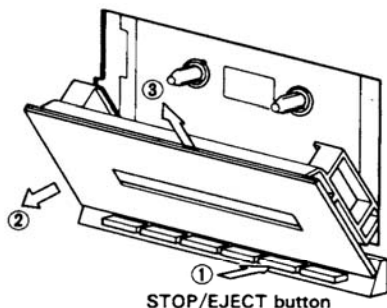
Name of TEST TAPE	Recorded Frequency	Description	Equivalent To
SCT-F40	40 Hz	Playback Frequency Response Check	--
SCT-F1K	1 kHz	High Frequency Equalization Check	--
SCT-F10K	10 kHz	REC/PB Head Adjustment	--
SCT-L400N	400 Hz	Playback Level and Indicator Level Adjustment	--
SCT-S3K	3 kHz	Speed Check and Wow & Flutter Check	--
*SCT-AD (NORMAL)	--	Recording Bias Adjustment	TDK AD
*SCT-SA (HIGH)	--	REC/PB Level Adjustment	TDK SA
*SCT-MA (METAL)	--	Frequency Response Check	TDK MA

◆**Note:** Some reference tapes marked * are not supplied.
 As these are equivalent to ones indicated above, please obtain these blank tapes on your side as possible.

◆ Removal and Attachment of Lid Ass'y

Depress the STOP/EJECT button to open the cassette holder, and pull the lid up and then toward you to remove it as shown figure.

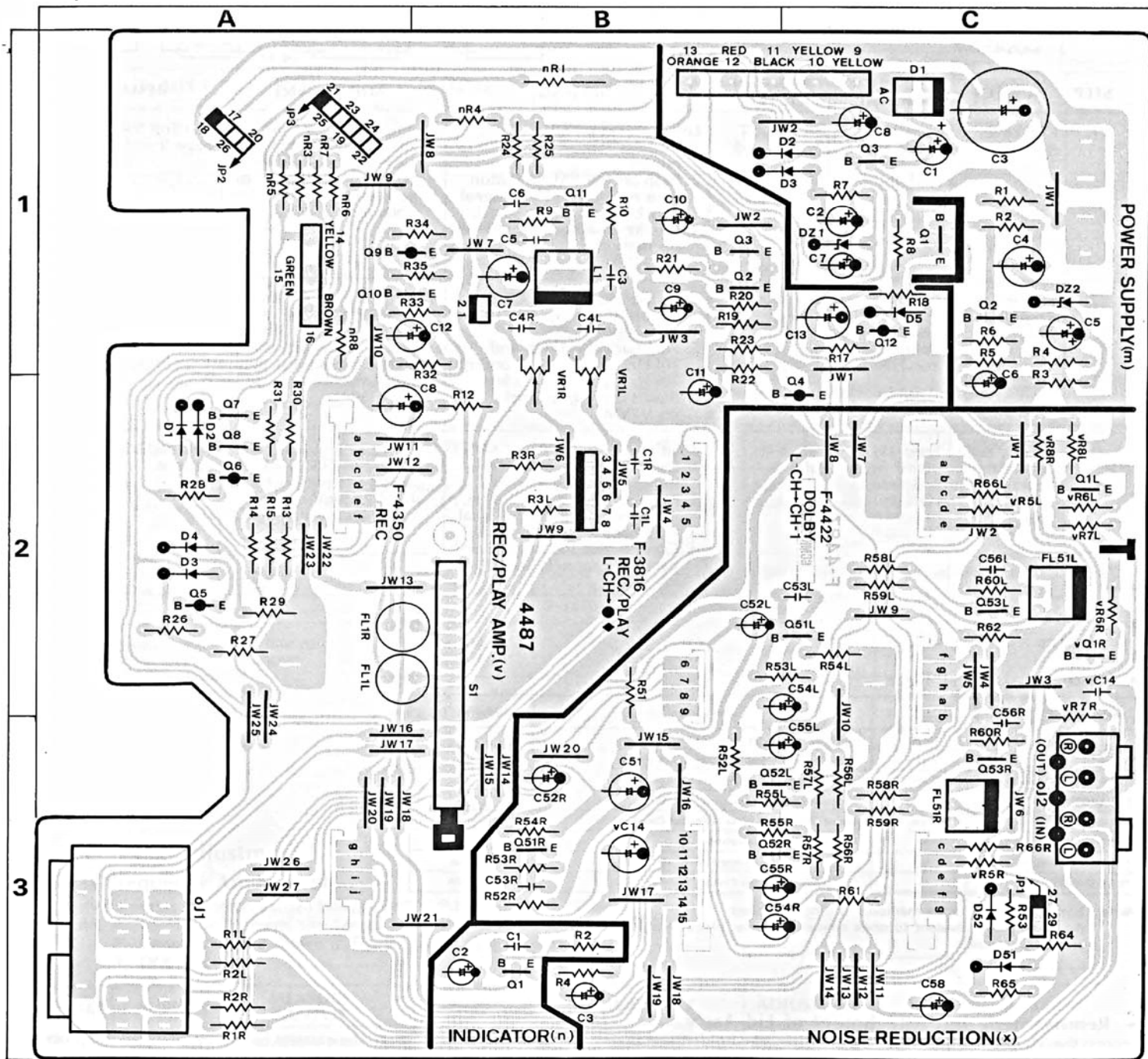
Re-attach the cover to the cassette holder by following the procedure for its removal in reverse.



3. PARTS LOCATION & PARTS LIST

3-1. F-4487 Main Circuit Board (Stock No. 00792001)

Component Side

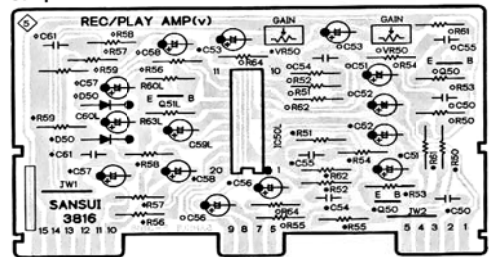


Parts List <F-4487>

Parts No.	Stock No.	Description
•Transistor		
Δ mQ1	03083901	2SD313AL
mQ2	46367101	2SC2603
or	46391901	2SC2785
Δ mQ3	46614101	2SC3243
•Diode		
Δ mD1	46273600	DEB10-B
mD2	03117600	1S2473T77
or	46086000	1S1588TP-3
mD3	03117600	1S2473T77
or	46086000	1S1588TP-3
•Zener Diode		
mDZ1	46111200	05Z5.1-Y
mDZ2	46111200	05Z5.1-Y
•Transistor		
nQ1	46367101	2SC2603
or	46391901	2SC2785
Δ nR1	00120700	18Ω 1/2W F.R.
oJ1	46212000	Jack, MIC
oJ2	46371500	4P Terminal Board, LINE IN/OUT
•Transistor		
vQ1	46367101	2SC2603
or	46391901	2SC2785
vQ2	46367101	2SC2603
or	46391901	2SC2785
vQ3	46367101	2SC2603
or	46391901	2SC2785
vQ4	46367001	2SA1175
or	46392001	2SA1175
vQ5	46367001	2SA1115
or	46392001	2SA1175
vQ6	46367001	2SA1115
or	46392001	2SA1175
vQ7	46367101	2SC2603
or	46391901	2SC2785
vQ9	46367101	2SC2603
or	46391901	2SC2785
vQ8	46367001	2SA1115
or	46392001	2SA1175

3-2. F-3816 Mic Amp & Auto Level Control Circuit Board (Stock No. 00727501)

Component Side



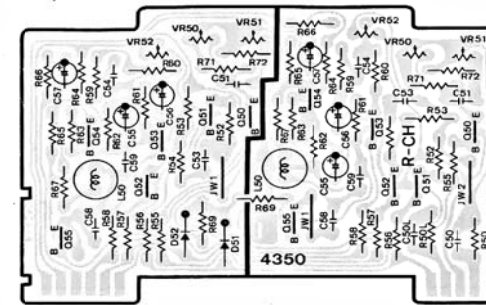
•Note: On this circuit board, the left channel is specified by "♦, ♦" mark on top of the parts No.

Parts No.	Stock No.	Description
vQ10	46367101	2SC2603
or	46391901	2SC2785
vQ11	46725801	2SC1627A
vQ12	46367001	2SA1115
or	46392001	2SA1175
•Diode		
vD1	03117600	1S2473T77
or	46086000	1S1588TP-3
vD2	03117600	1S2473T77
or	46086000	1S1588TP-3
vD3	03117600	1S2473T77
or	46086000	1S1588TP-3
vD4	03117600	1S2473T77
or	46086000	1S1588TP-3
vD5	03117600	1S2473T77
or	46086000	1S1588TP-3
vC3	46657000	3900pF 100V F.C.
vFL1	42904400	Peaking Coil
vL1	46362200	Bias OSC Coil
vVR1	10371000	100kΩ(B) S.V.R., P.B Level adj.
vS1	46428600	Slide SW., REC/PLAY
•Transistor		
xQ51	46367101	2SC2603
or	46391901	2SC2785
xQ52	46367101	2SC2603
or	46391901	2SC2785
xQ53	46367101	2SC2603
or	46391901	2SC2785
•Diode		
xD51	03117600	1S2473T77
or	46086000	1S1588TP-3
xD52	03117600	1S2473T77
or	46086000	1S1588TP-3
xFL51	46177500	Dolby Filter
or	46177501	Dolby Filter

Parts No.	Stock No.	Description
•Transistor		
vQ50	46367101	2SC2603
or	46391901	2SC2785
vQ51	46367101	2SC2603
or	46391901	2SC2785
•IC		
viC50	46362100	M51161P
•Diode		
vD50	03117600	1S2473
or	46086000	1S1588
vVR50	07261500	500Ω(B) S.V.R., P.B. Level adj.

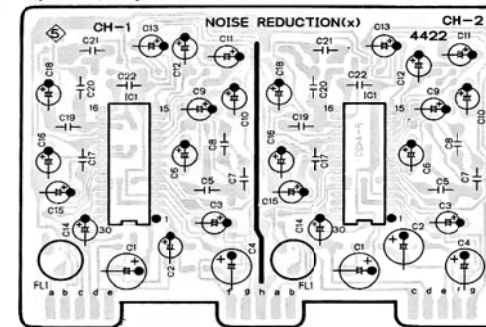
3-3. F-4350 REC Amp. Circuit Board (Stock No. 00791901)

Component Side



3-4. F-4422 Noise Reduction Circuit Board (Stock No. 00775301)

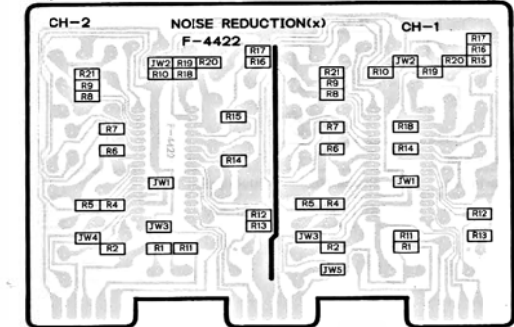
Top View (Component Side) with Bottom Side Pattern



•Note: On this circuit board, the left channel is specified by CH-1.

Parts No.	Stock No.	Description
•Transistor		
vQ50	46367101	2SC2603
or	46391901	2SC2785
vQ51	46367101	2SC2603
or	46391901	2SC2785
vQ52	46367101	2SC2603
or	46391901	2SC2785
vQ53	46367101	2SC2603
or	46391901	2SC2785
vQ54	46367101	2SC2603
or	46391901	2SC2785
vL50	46313900	Inductor 2.7mH
vVR50	07262100	50kΩ(B) S.V.R., METAL Position Rec Level adj.
vVR52	07262000	20kΩ(B) S.V.R., Rec Level adj.

Chip Parts View with Bottom Side Pattern

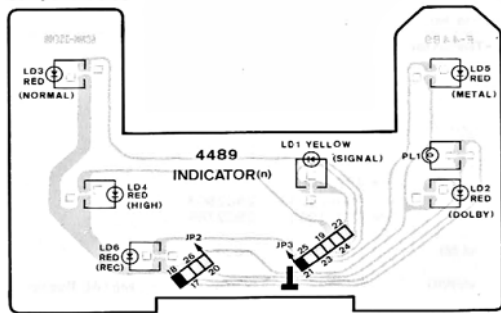


Parts No.	Stock No.	Description
•IC		
xiC1	46671900	HA12058NT
xJW1	46741100	Cross Conductor (Chip)
xJW2	46741100	Cross Conductor (Chip)
xJW3	46741100	Cross Conductor (Chip)
xJW4	46741100	Cross Conductor (Chip)
xJW5	46741100	Cross Conductor (Chip)
xR1	46754000	470kΩ 1/8W Chip R.
xR2	46749400	5.6kΩ 1/8W Chip R.
xR4	46749800	8.2kΩ 1/8W Chip R.
xR5	46748800	3.3kΩ 1/8W Chip R.
xR6	46750900	24kΩ 1/8W Chip R.
xR7	46749500	6.2kΩ 1/8W Chip R.
xR8	46752200	82kΩ 1/8W Chip R.

Parts No.	Stock No.	Description
xR9	46754800	1MΩ 1/8W Chip R.
xR10	46752200	82kΩ 1/8W Chip R.
xR11	46752200	82kΩ 1/8W Chip R.
xR12	46748800	3.3kΩ 1/8W Chip R.
xR13	46747600	1kΩ 1/8W Chip R.
xR14	46752200	82kΩ 1/8W Chip R.
xR15	46749500	6.2kΩ 1/8W Chip R.
xR16	46752200	82kΩ 1/8W Chip R.
xR17	46746800	470Ω 1/8W Chip R.
xR18	46749200	4.7kΩ 1/8W Chip R.
xR19	46750000	10kΩ 1/8W Chip R.
xR20	46752000	68kΩ 1/8W Chip R.
xR21	46754800	1MΩ 1/8W Chip R.
xFL1	46177600	Trap Filter (19.8 kHz)

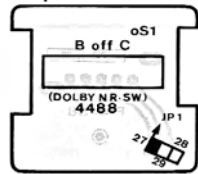
3-5. F-4489 Indicator Circuit Board

Component Side



3-6. F-4488 DOLBY NR Switch Circuit Board

Component Side



Parts List

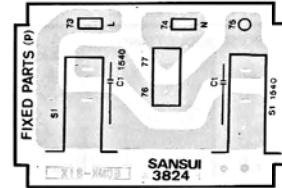
Parts No.	Stock No.	Description
oS1	46178400	Slide SW.

Parts List

Parts No.	Stock No.	Description
•LED		
nLD1	07251000	TLY-123
	or 46470400	SEL2910A
nLD2	46176900	TLS-123
	or 46470200	SEL2210S
nLD3	46176900	TLS-123
	or 46470200	SEL2210S
nLD4	46176900	TLS-123
	or 46470200	SEL2210S
nLD5	46176900	TLS-123
	or 46470200	SEL2210S
nLD6	46176900	TLS-123
	or 46470200	SEL2210S
nPL1	46286600	Pilot Lamp 12V 0.15A

3-7. F-3824 Power Switch Circuit Board

Component Side

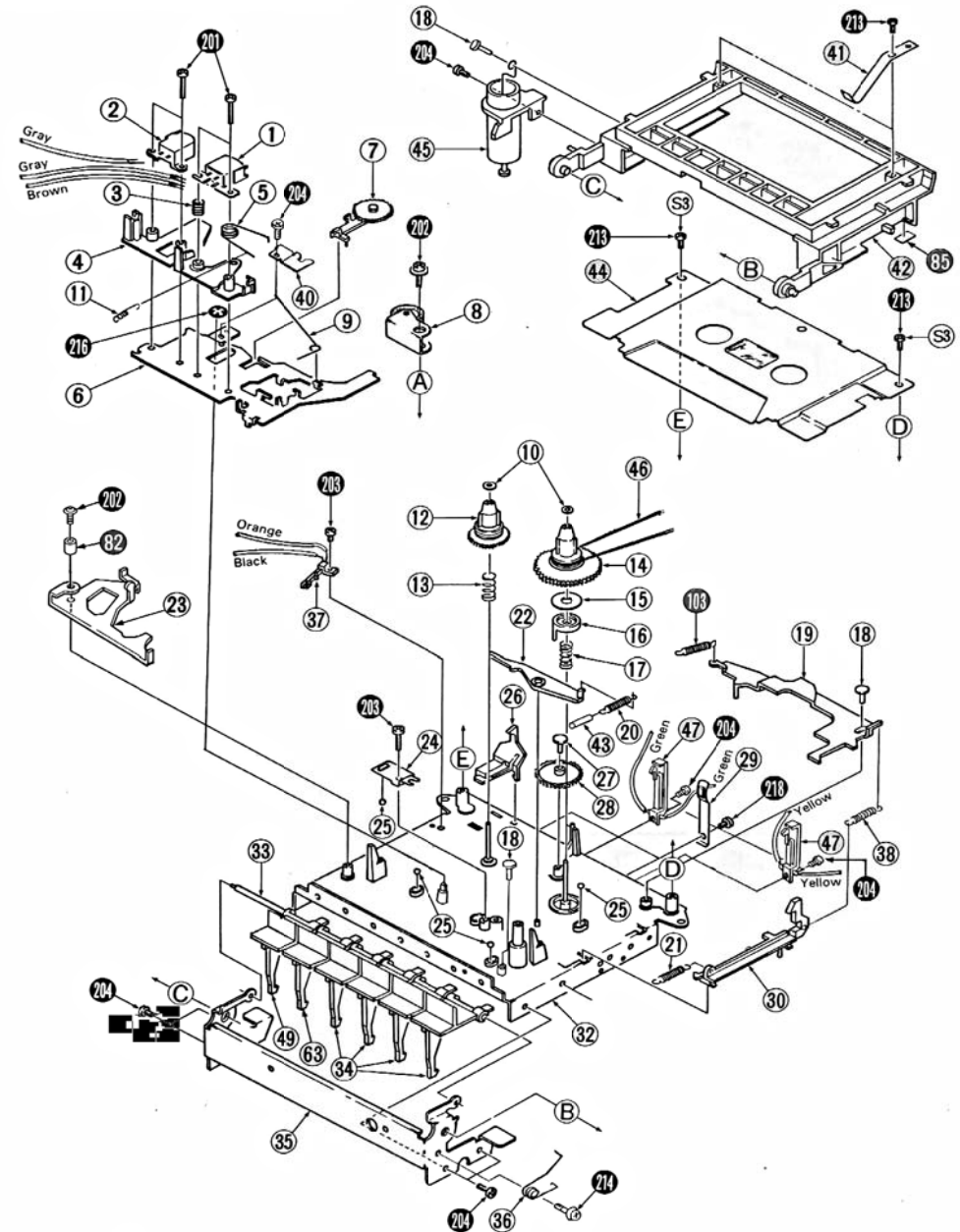


Parts List

Parts No.	Stock No.	Description
Δ pC1	46425800	10000pF 400V C.C.
Δ pS1	46360300	Push SW., POWER

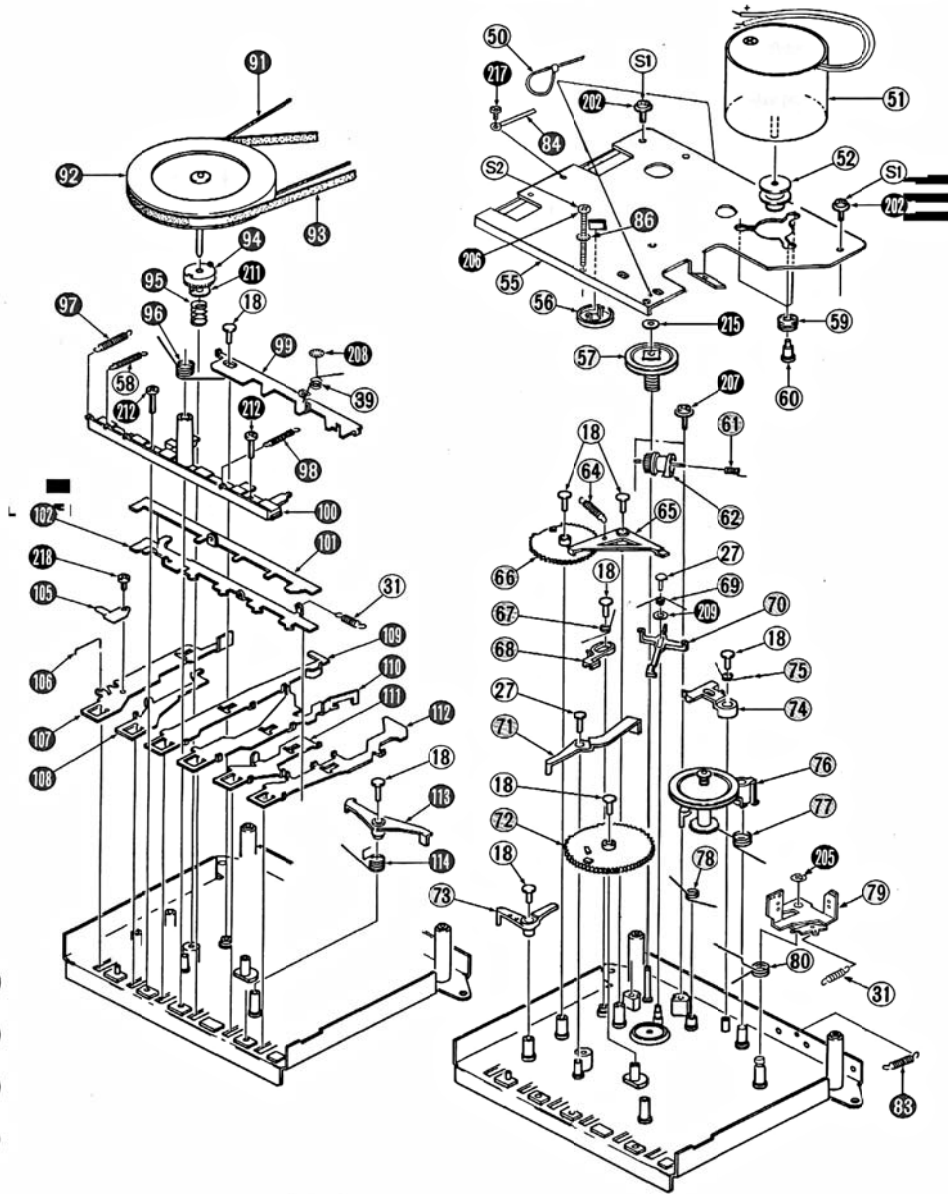
4. EXPLODED VIEW OF MECHANISM Ass'y & PARTS LIST

4-1. Front View of Mechanism Chassis



4-2. Rear View of Mechanism Chassis

*Though every part included mechanism ass'y is numbered in exploded view, part unlisted in the parts list are not supplied.



Parts List <Mechanism Ass'y (4-1/4-2)>

Parts No.	Stock No.	Description
1	47155700	REC/P. B. Head
2	07997400	Erase Head
3	09409700	C. Spring
4	07997500	Head Stand
5	07997600	Spring
7	07997700	Idler Ass'y B
8	07997800	Pinch Roller Arm Ass'y
9	07997900	Spring
10	09417300	Washer
11	07998000	T. Spring
12	09410100	Supply Reel Hub
13	47076300	S Brake Spring
14	07998100	Take Up Reel Hub Ass'y
15	09410400	Friction Plate
16	07998200	Clutch Plate
17	09425100	C. Spring
18	07998300	Rivet
19	07998400	Brake
20	07998500	T. Spring
21	09409500	T. Spring
22	07998600	Pause Arm
23	47076400	Cam Lever Ass'y
24	07998800	Holder Plate
25	65400300	Steel Ball
26	07998900	REC Sensor Lever
27	07999000	Rivet
28	07999100	Idler Gear
29	07999200	Cassette Holder
30	07999300	Latch Lever
31	07999400	T. Spring
34	07999600	Button Lever
36	07999900	Spring
37	47000400	Leaf Switch
38	47076500	T. Spring
39	47000000	Spring
41	09416100	Keep Plate
42	47000100	Cassette Holder
44	47000200	Mechanism Cover
45	47000300	Cylinder Ass'y
46	07976700	Belt, Counter
47	47000500	Leaf Switch
49	37014900	Button Lever (Orange)
51	37008500	Motor
52	47000600	Pulley
56	47000800	Capstan Support
57	47000900	Worm Gear
58	47001000	T. Spring
59	47001100	Rubber Cushion
60	47001200	SD Screw
61	09410800	C. Spring
62	47001300	AS Cam

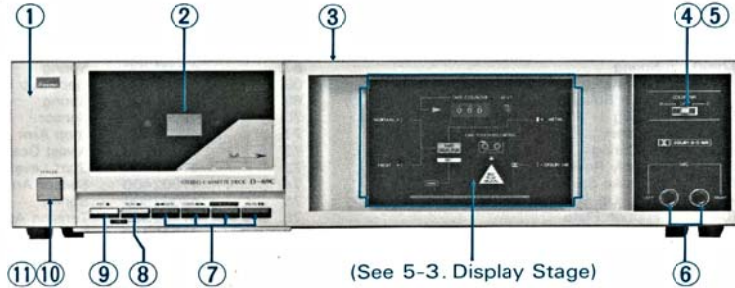
Parts No.	Stock No.	Description
63	37015000	Button Lever (Blue)
64	47001400	REW Spring
65	47001500	Start Lever D
66	47001600	Assist Gear C
67	47001700	Spring
68	47001800	Eject Sub. Frame
69	47001900	Spring
70	47002000	Sensor
71	47002100	Stop Arm
72	47076900	Assist Gear A
73	47002300	Start Lever C
74	47002400	Sensor Arm
75	47002500	Spring
76	47002600	Tension Ass'y
77	47002700	Spring
78	47002800	Spring
80	47002900	Spring
83	47003200	T. Spring
86	47219100	Toothed Lock Washer
91	47003300	Belt, Tension
92	47003400	Flywheel
93	47003500	Belt, Capstan
94	47003600	Flywheel Gear
95	47003700	C. Spring
96	47003800	Spring
97	47003900	T. Spring
98	47004000	T. Spring
100	47004100	Lever Holder
103	37008200	T. Spring
105	47004200	Pause Plate Spring
106	47004300	Lock Pin
113	47004400	Start Lever A
114	47004500	Spring
201	09416700	B-Type Screw, M2 x 11
202	47004600	FT-Type Screw, M2.6 x 8
203	09416400	PD-Type Screw, M2.6 x 10
204	07710600	PD-Type Screw, M2.6 x 5
205	00489300	E-Type Washer, D4
206	47004700	PD-Type Screw, M2.6 x 30
207	09416500	WT-Type Screw, M2.6 x 6
208	51829700	CS Spring 8φ
209	51825000	T-Type Washer, FT3.0 x 0.25
211	47004800	P-Type Washer
212	00440500	PT-Type Screw, M2.6 x 8
213	09418300	BT-Type Screw, M2 x 5
214	47031500	FT-Type Screw, M2.6 x 4
215	47004900	T-Type Washer
216	51832300	CS-Type Washer
217	00421300	Screw M2.6 x 6
218	13133700	Screw M2.6 x 4

* FT-Type: Flange Head Tapping
PD-Type: Pan Head Deltite

- ① ~ ④①
- ④① ~ ⑧①
- ⑧① ~ ⑫①
- ⑫① ~ ⑯①

5. OTHER PARTS

5-1. Front View



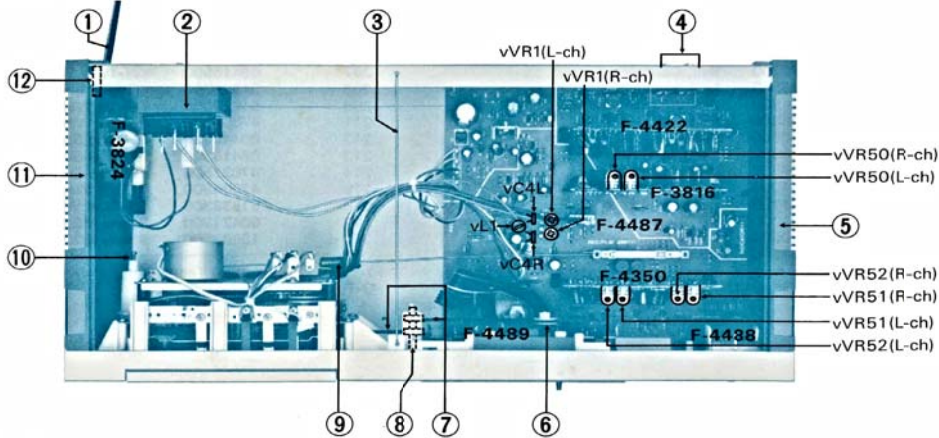
(See 5-3. Display Stage)

Parts List < Front View >

Parts No.	Stock No.	Description
1	47502200	Front Panel (Silver Model)
	47502300	Front Panel (Black Model)
2	47478100	Cassette Lid Ass'y (Silver Model)
	47478200	Cassette Lid Ass'y (Black Model)
3	07986900	Bonnet
4	46178400	Slide SW., DOLBY NR
5	47494400	Slide Knob, DOLBY NR
6	46212000	Jack, MIC

Parts No.	Stock No.	Description
7	07999600	Lever Button, PAUSE, STOP/EJECT, F.FWD REW
8	37015000	Lever Button (Blue), PLAY
9	37014900	Lever Button (Amber), REC
△ 10	46360300	Push SW., POWER
	07971200	Push Knob, POWER (Silver Model)
	07911210	Push Knob, POWER (Black Model)

5-2. Top View

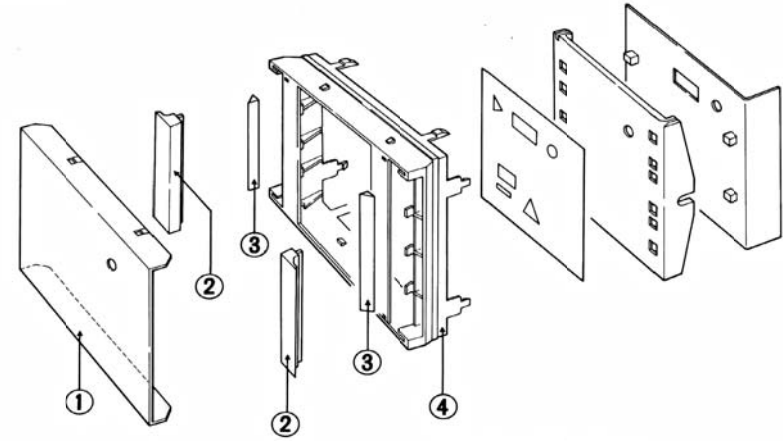


Parts List < Top View >

Parts No.	Stock No.	Description
△ 1	38005400	Power Supply Cord <XX,CSA>
	38004700	Power Supply Cord
	38004500	Power Supply Cord <EU>
	38004300	Power Supply Cord <BS>
2	15014801	Power Transformer<XX>
	15014802	Power Transformer<UL,CSA>
	15014805	Power Transformer<EU,BS>
3		Tension Wire
4	46371500	4P Input Terminal, LINE IN/OUT

Parts No.	Stock No.	Description
5	07952700	Side Panel Ass'y (R)
6	46370400	Tape Counter
7	07976700	Counter Belt
8	07920600	Relay Pulley
9	07967100	REC Spring
10	07920700	Joint Shaft, power sw.
11	07952600	Side Panel Ass'y (L)
12	07917700	AC Cord Cover

5-3. Display Stage

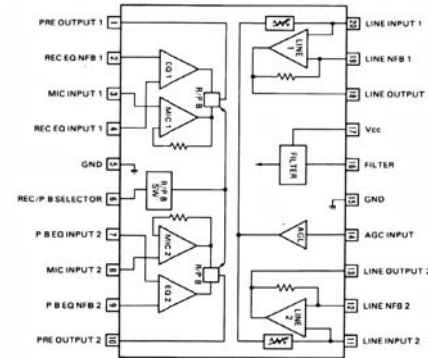


Parts List < Display Stage >

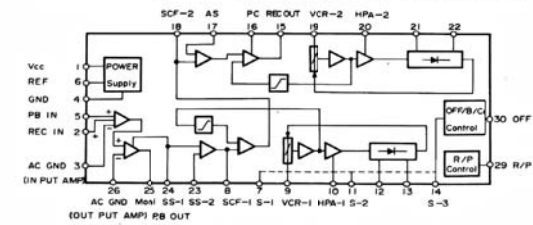
Parts No.	Stock No.	Description
1	47505410	Display Cover
2	07920200	Dress Knob
3	47023300	Rubber Cushion
4	07921900	Display Holder

6. INTERIOR BLOCK DIAGRAM OF IC

•M51161P (MIC Amp. & PLAY EQ Amp. IC)

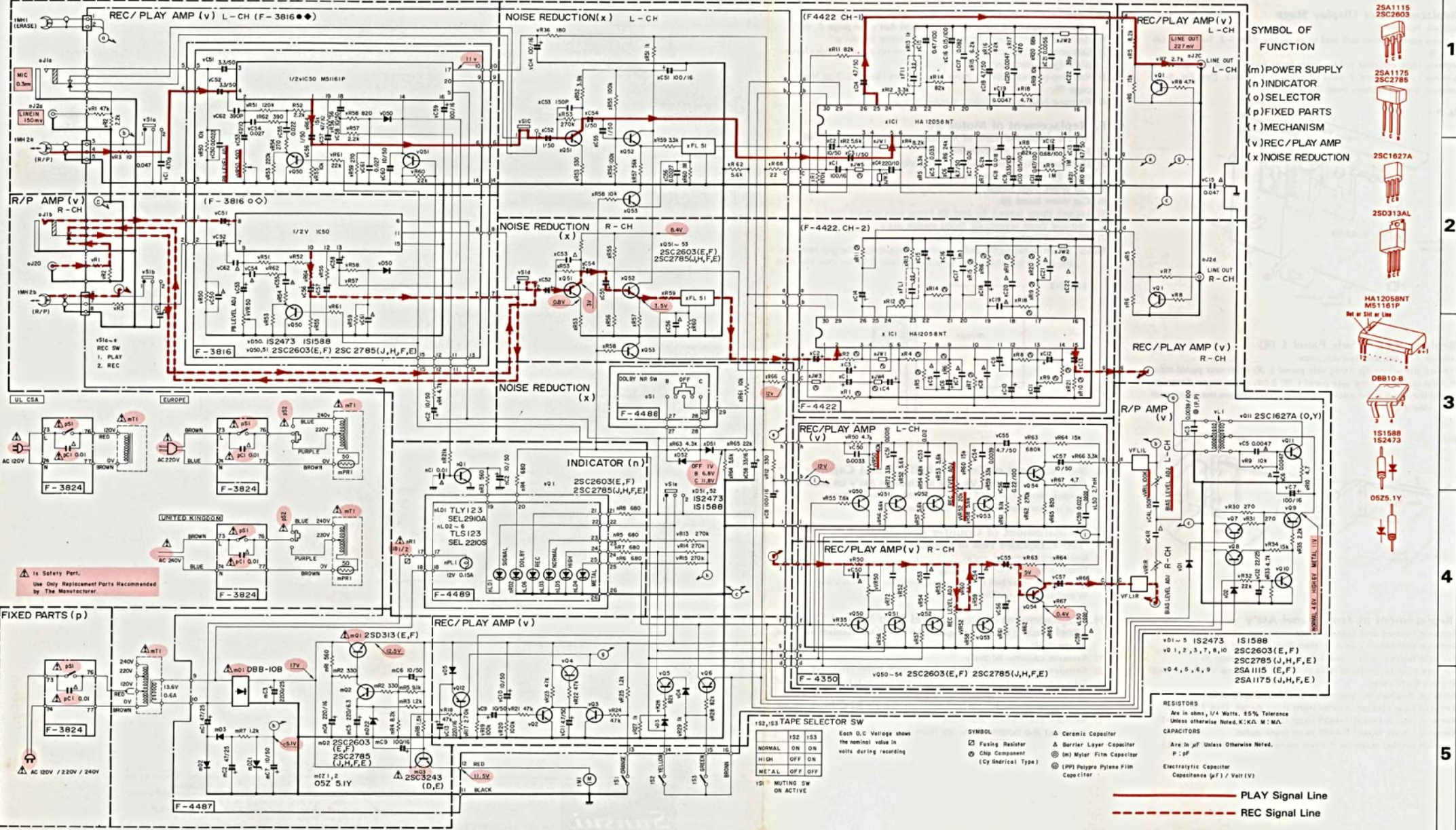


•HA12058NT (B & C Type Dolby Noise Reduction IC)



7. SCHEMATIC DIAGRAM

*Design and specifications subject to change without notice for improvement.
 *La présentation et les applications sont susceptibles d'être modifiées sans préavis par suites d'améliorations éventuelles.
 *Änderungen, die dem technischen Fortschritt dienen, bleiben vorbehalten.



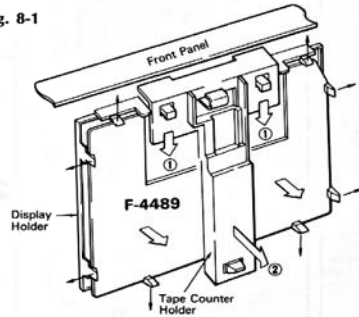
1
2
3
4
5

8. MAIN PARTS REPLACEMENT

A. Replacement of Display Stage

- 1) Remove bonnet.
- 2) Remove tape counter belt and relay pulley. (See 5-2. Top View on page 9)
- 3) Remove tape counter holder from front panel. (See Fig. 8-1)
- 4) Remove circuit board F-4489 from display holder. (See Fig. 8-1)
- 5) Remove display holder from front panel.

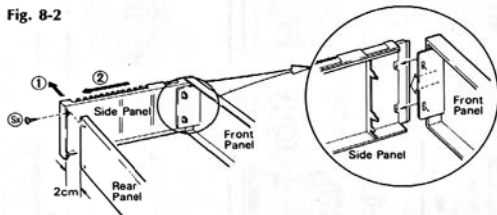
Fig. 8-1



B. Replacement of Side Panel L (R)

- 1) Remove bonnet and bottom plate.
- 2) Remove the screw ⑤ fixing side panel L (R) from rear panel side.
- 3) Shift the position of the side panel L (R) 2 cm in the arrow direction ① and then pull it the arrow direction ② to remove the side panel L (R). (See Fig. 8-2)

Fig. 8-2



C. Replacement of Front Panel Ass'y

- 1) Remove bonnet and bottom plate.
- 2) Remove side panel L and R. (See Replacement B.)
- 3) Remove tension wire. (See 5-2. Top View on page 9)
- 4) Remove counter belt and relay pulley (See 5-2. Top View on page 9) from front panel.
- 5) Remove mechanism assembly. (See Replacement D.)
- 6) Remove tape counter holder from front panel. (See Fig. 8-1)
- 7) Remove circuit board P-4489 from display stage. (See Fig. 8-1)
- 8) Remove circuit board F-4488 from front panel.
- 9) Remove display stage from front panel. (See Replacement A.)

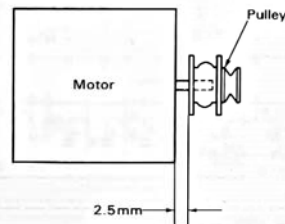
D. Replacement of mechanism assembly

- (See 4. Exploded View of Mechanism Ass'y on page 7, 8)
- 1) Remove bonnet, bottom plate, and cassette lid ass'y.
 - 2) Disconnect REC spring (See 5-2. Top View on page 9) from change plate ② of mechanism ass'y.
 - 3) Remove counter belt ④ from relay pulley (See 5-2. Top View on page 9).
 - 4) Remove four screws fixing mechanism assembly.

E. Replacement of Motor ⑤

- (See 4. Exploded View of Mechanism Ass'y on page 7, 8)
- 1) Remove bonnet and bottom plate.
 - 2) Disconnect REC spring (See 5-2. Top View on page 9) from change plate ② of mechanism assembly.
 - 3) Cut wires from motor.
 - 4) Cut wires band ③.
 - 5) Loosen three screws ⑥ and ⑦ fixing mechanism holder ⑧.
 - 6) Remove three screws ⑩ fixing motor ass'y.
 - 7) Pluck out pulley ② from motor.
- Note:** When installing the pulley to the motor, adjust the gap between the motor and the pulley so as to be about 2.5 mm. (See Fig. 8-3)

Fig. 8-3



F. Replacement of Tension Belt ⑨ and Capstan Belt ⑬ (See 4. Exploded View of Mechanism Ass'y on page 7, 8)

- 1) Perform items 1)–5) "E. Replacement of Motor" first.
- 2) Take out tension belt and capstan belt.

G. Replacement of Counter Belt ④

- (See 4. Exploded View of Mechanism Ass'y on page 7, 8)
- 1) Remove cassette lid ass'y.
 - 2) Remove two screws ⑤ to take out mechanism cover ④.
 - 3) Take out counter belt from relay pulley (See 5-2. Top View on page 9) and take up reel hub ⑬.

H. Replacement of Supply Reel Hub ⑫ and Take Up Reel Hub ⑬ (See 4. Exploded View of Mechanism Ass'y on page 7, 8)

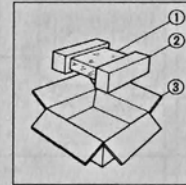
- 1) Remove cassette lid ass'y.
- 2) Remove two screws ⑬ to take out mechanism cover ④.
- 3) Take out washer ⑩ to remove supply reel hub or take up reel hub.

I. Replacement of Control Button ⑭ or REC Button ⑮

- 1) Remove mechanism assembly.
- 2) Take out the button ⑭ or ⑮ from button shaft ⑬.

9. PACKING LIST

Parts No.	Stock No.	Description
1	91263810	Vinyl Cover
2	07949000	Styrofoam Packing
3	47496100	Carton Case (Silver Model)
	47496200	Carton Case (Black Model)



10. ACCESSORY LIST

Stock No.	Description
38103300	PJP Cord
94300500	Head Cleaner
46896700	Operating Instruction

SANSUI ELECTRIC CO., LTD.:
SANSUI ELECTRONICS CORPORATION:
SANSUI ELECTRONICS (U.K.) LTD.:
SANSUI ELECTRONICS G.M.B.H.:

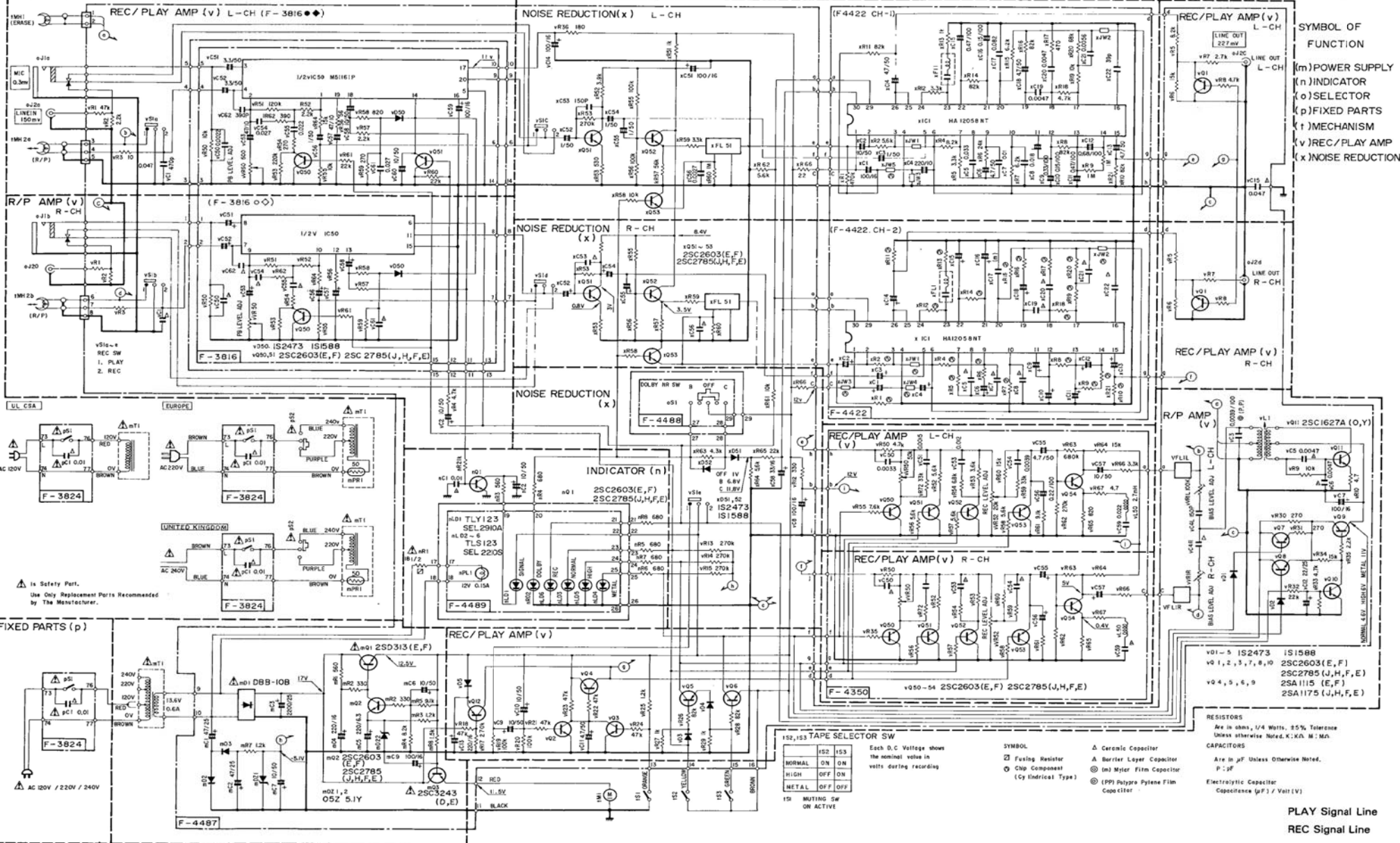
14-1, Izumi 2-chome, Suginami-ku, Tokyo 168 Japan
PHONE: (03) 324-8891/TELEX: 232-2078 (International Division)
1250 Valley Brook Ave. Lyndhurst, N.J. 07071 U.S.A.
17150 South Margay Ave. Carson, California 90748 U.S.A.
3036 Koaopaka Street, Honolulu, Hawaii 96819 U.S.A.
Unit 10A, Lyon Industrial Estate, Rockware Avenue, Geonford, Midx UB6, OAA, England
Pau Ehrich Strasse 8, 6074 Rödermark 2, West Germany

(SM1-145)

Printed in Japan (340220M) <Stock No. 36492800>

7. SCHEMATIC DIAGRAM

*Design and specifications subject to change without notice for improvement.
 *La présentation et les spécifications sont susceptibles d'être modifiées sans préavis par suites d'améliorations éventuelles.
 *Änderungen, die dem technischen Fortschritt dienen, bleiben vorbehalten.



SYMBOL OF FUNCTION
 (m) POWER SUPPLY
 (n) INDICATOR
 (o) SELECTOR
 (p) FIXED PARTS
 (t) MECHANISM
 (v) REC/PLAY AMP
 (x) NOISE REDUCTION

Is Safety Part.
 Use Only Replacement Parts Recommended by The Manufacturer.

RESISTORS
 Are in ohms, 1/4 Watts, ±5% Tolerance
 Unless otherwise noted. K: x1,000 M: x1,000,000
 CAPACITORS
 Are in pF Unless Otherwise Noted.
 P: pF
 Electrolytic Capacitor
 Capacitance (µF) / Volt (V)

IS2, IS3 TAPE SELECTOR SW
 Each D.C. Voltage shows the nominal value in volts during recording

NORMAL	ON	ON
HIGH	OFF	ON
METAL	OFF	OFF

IS0 MUTING SW
 ON ACTIVE

PLAY Signal Line
 REC Signal Line

1
 2
 3
 4
 5